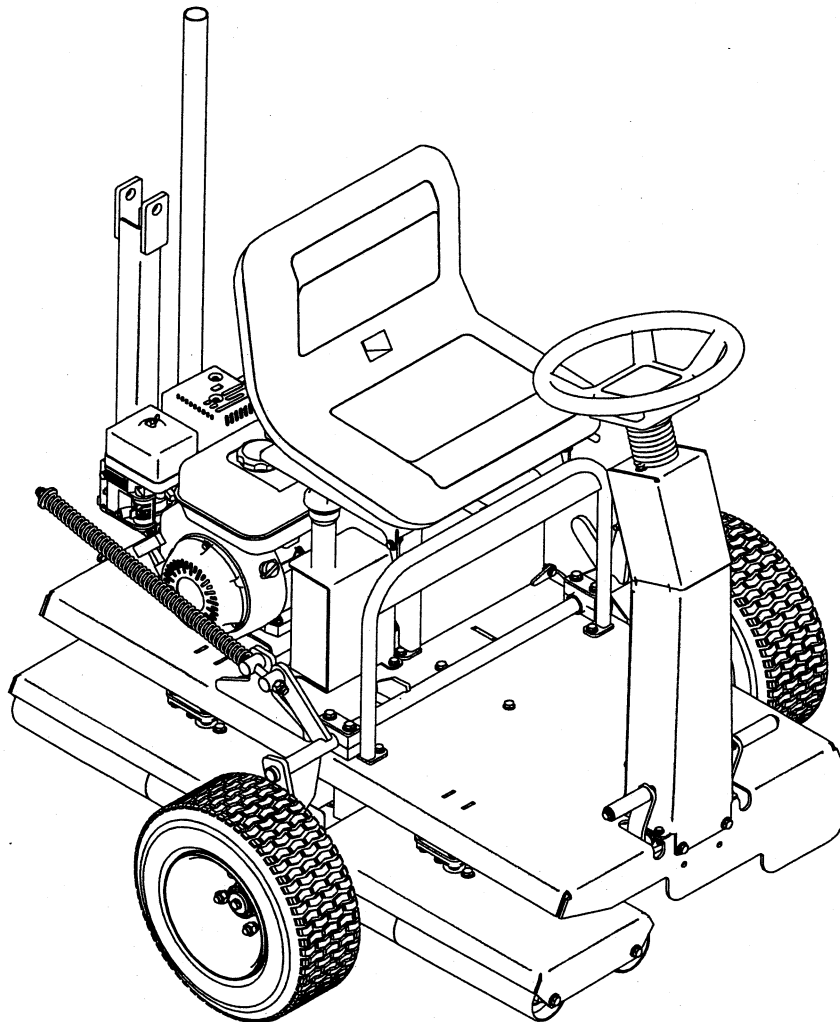


GRADEN[®]

INDUSTRIES

GSR-1200 GREENS ROLLER



Owner's Manual

Graden Industries Pty. Ltd.

26-28 Scammel Street, Campbellfield

Victoria, AUSTRALIA 3061

Phone : (03) 9305 3400

Fax : (03) 9305 3995

International Phone : (613) 9305 3400

Email : sales@graden.com.au

Website : www.graden.com.au

Table of Contents

- 1. Specifications**
 - 1.1 Specifications
 - 1.2 Statement of Machine Use
 - 1.3 Serial Number Plate

- 2. To the Owner**
 - 2.1 Preliminary Instructions
 - 2.2 Warning Symbols
 - 2.3 Servicing the GSR-1200

- 3. Safety Information**
 - 3.1 General Rules
 - 3.2 Training
 - 3.3 Personal Protective Equipment (PPE)
 - 3.4 Preparation
 - 3.5 Operational Safety
 - 3.6 Maintenance Safety

- 4. Controls**
 - 4.1 Steering Wheel
 - 4.2 Motion Pedals
 - 4.3 Lifting Bar
 - 4.4 Tow Bar
 - 4.5 Seat Adjustment
 - 4.6 Engine Controls

- 5. Operating Instructions**
 - 5.1 Preliminary Checks
 - 5.2 Start Up
 - 5.3 Driving (Traversing) the Greens Roller
 - 5.4 Shut Down

- 6. Maintenance Operations**
 - 6.1 Adjustments and Settings
 - 6.1.1 Drive Chain
 - 6.2 Engine Maintenance
 - 6.3 Maintenance Schedule

- 7. Warranty**

- 8. Diagrams**

1.1 Specifications

Model	Graden GSR-1200 Greens Roller
Engine	Honda GX200
Power	6.5hp Horizontal shaft
Engine Oil	SAE 10W-30 Grade
Fuel	Unleaded
Transmission	Hydrogear BDR-317
Transmission Oil	SuperySyn Engine Oil 5W-40
Drive	Twin Chain to rear Drive Roller
Drive Roller	165mm Diameter Vulcanized Rubber Coated
Smoothing Rollers	89mm Diameter – 4 Split Rollers Overlapping twin steering heads
Rolling Swathe	1200mm
Weight	240 kg
Length	1360mm
Width	1220mm
Height	1070mm
Lifting Tyres	16 x 6.50 - 8
Lifting Tyre Pressure	65 kPa (10 psi) - maximum
Seat	Hi-Back, adjustable
Maximum Speed	10kmh

1.2 Statement of Machine Use

The Graden GSR-1200 Greens Rollers main use is as a rolling tool on areas such as golf courses, bowling greens, tennis courts and other sporting fields and fine turf areas.

It is not for use on turf areas where rocks and other hard foreign bodies may be present. The use of this machine in turf profiles of this nature will likely cause premature wear of the drive and smoothing rollers.

This machine is not for use in anything other than the soil profiles typically to be found on sporting fields and fine turf areas mentioned above.

Please contact Graden Industries if you are unsure about your application complying with the intended use of this machine.

1.3 Serial Number Plate

The serial number plate layout is shown below. It is important to note in particular the Model and Serial numbers to assist you when ordering parts or discussing servicing needs with your Graden Dealer. Also on the plate you will find mass information and the year of manufacture.

GRADEN	
INDUSTRIES PTY LTD	
26 - 28 SCAMMEL STREET	
CAMPBELLFIELD VICTORIA 3061	
MADE IN AUSTRALIA	
MODEL N°	MASS
SERIAL N°	YEAR

2. To the Owner

Read this manual before operating the Roller

2.1 Preliminary Instructions

- It is important that the owner completely familiarises themselves with the contents of this manual
- Keep this manual at hand as a ready reference for anybody using the Graden GSR-1200 Greens Roller
- The designed and tested safety features of this machine are dependent on it being operated within the limitations described in this manual

2.2 Warning Symbols

Throughout this manual the following symbols are used to indicate important safety issues. When either or both of these symbols are present the operator must be aware that there is the potential to damage equipment and/or incur serious personal injury.

